



FRONT WHEEL MOUNTING
20 INCH

Technical details

Motor type	Brushless mechanical drive
Output range	250 Watt
Voltage range	36 Volt
Maximal Amp	12 Amp
RPM / V	8
Torque	7 - 29 Nm
Efficiency	79%
Weight	1,9 kg
Drop out	100 mm
Disc brake mounting	n/a
Sprocket gear	n/a
Front or rear wheel	Front wheel
Controller type	Sensorless & sensed controllers

Magnet width	n/a
Poles	n/a
Hall sensors	Ne
Bearings	Industrial
Sealings	Yes
Motor phase plug	Waterproof
Hall sensor plug	n/a

ALSO AVAILABLE WITH RIM & SPOKES

Spokes	SAPIM 12G INOX (size = 2,6 mm)
Rim	EXAL EX25
Rim sizes	20"



AVAILABLE WITH
RIM & SPOKES



EMC
CERTIFIED

LOW
WEIGHT

ORDER ONLINE

www.crystalyte-europe.com

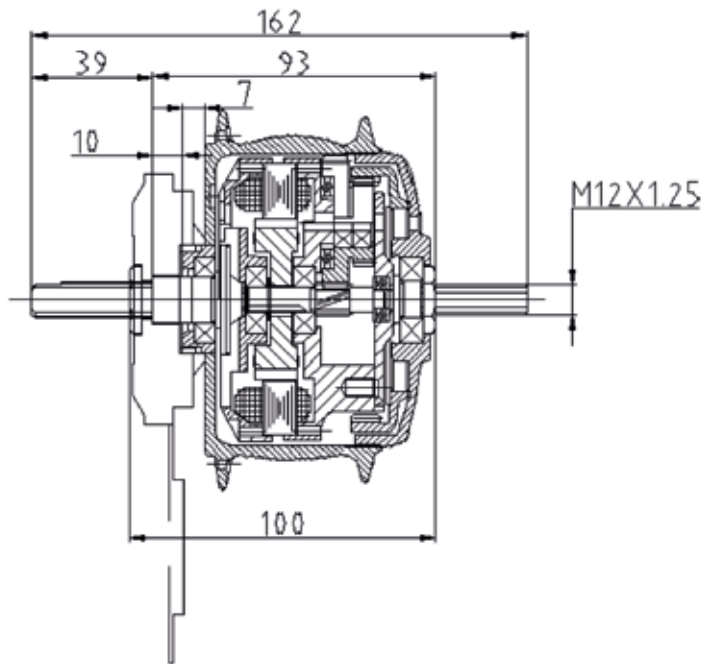
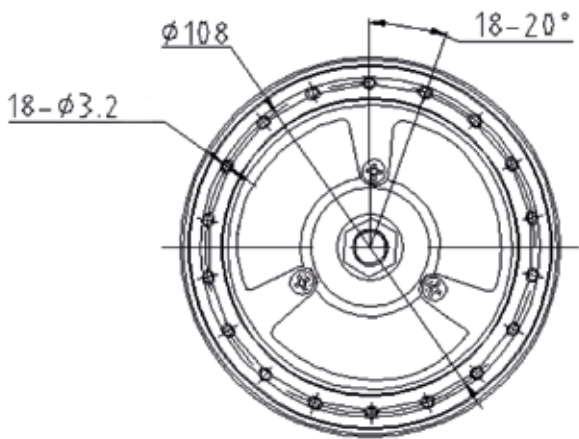


MiniMotor Front

Makes you want to drive electric

e-dr bvba • Hemelrijken 3a • 2890 Sint-Amands • Belgium • +32 (0)52 555 840 • info@crystalyte-europe.com

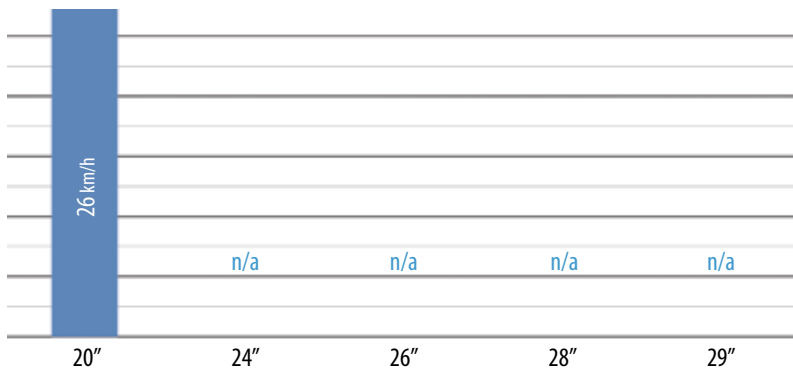
Measurements



Speed table

36V

Max. permitted speed according European Standard: 27 km/h



MiniMotor Front

