



REAR WHEEL MOUNTING

Crystalyte

europe

Technical details

Motor type	Brushless direct drive
Output range	250 - 6000 Watt
Voltage range	48 - 96 Volt
Maximal Amp	90 Amp
RPM / V	12,5
Torque	100 - 145 Nm
Efficiency	88%
Weight	9 kg
Drop out	140 mm
Disc brake mounting	Yes
Sprocket gear	Freewheel mounting
Front or rear wheel	Rear wheel
Controller type	Sensorless & sensed controllers

Magnet width	40 mm
Poles	46 pair
Hall sensors	3 x Honeywell
Bearings	NSK industrial
Sealings	Yes
Motor phase plug	3 x XT150
Hall sensor plug	Mini XLR 5 pin
Temperature sensor	Yes

ALSO AVAILABLE WITH RIM & SPOKES

Spokes	SAPIM 12G INOX (size = 2,6 mm)
Rim	EXAL EX25 20/26" extra wide rim
Rim sizes	20" & 26"



AVAILABLE WITH RIM & SPOKES

EMC
CERTIFIED

ORDER ONLINE
www.crystalyte-europe.com

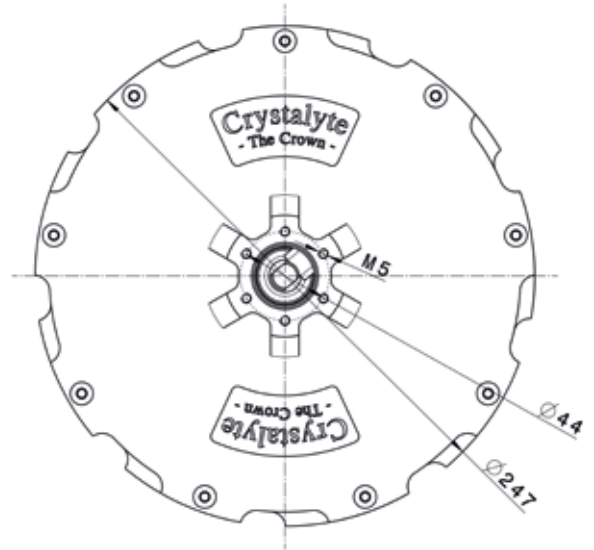
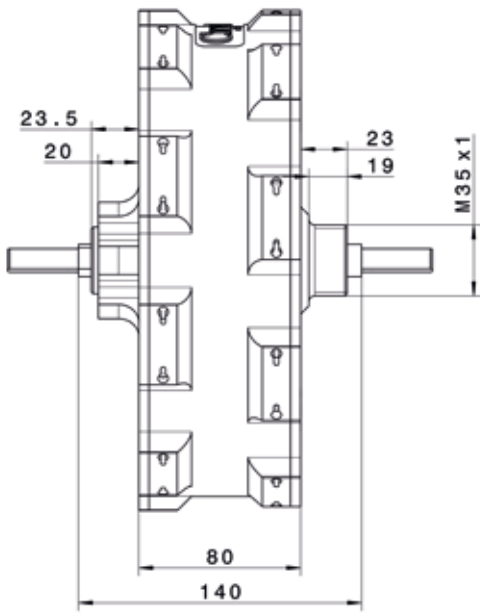


Crown CT100

Makes you want to drive electric

e-dr bvba • Hemelrijken 3a • 2890 Sint-Amands • Belgium • +32 (0)52 555 840 • info@crystalyte-europe.com

Measurements



Test results

Omschrijving	U (V)	I (A)	P1 (W)	M (N.m)	N (rpm)	P2 (W)	Eff (%)
Unload	72,12	3,896	281,0	0,8	776,2	62,41	22,2
Max-Eff	72,11	35,95	2592	31,8	693,7	2307	89,0
Max P-out	71,30	94,33	6725	84,5	571,6	5055	75,2
Max-Torque	71,40	87,84	6272	129,9	100,7	1370	21,8
End	72,04	8,920	642,6	1,3	0	0	0



Crown CT100

Speed table

