

G 40



FRONT WHEEL MOUNTING

# Crystalyte

europe

## Technical details

Motor type	Brushless direct drive
Output range	250 - 400 Watt
Voltage range	24 - 48 Volt
Maximal Amp	20 Amp
RPM / V	9,5
Torque	25 - 38 Nm
Efficiency	78%
Weight	3,8 kg
Drop out	100 mm
Disc brake mounting	Yes
Sprocket gear	n/a
Front or rear wheel	Front wheel
Controller type	Sinwave G controllers

Magnet width	25 mm
Poles	22 pair
Hall sensors	3 x Honeywell
Bearings	NSK industrial
Sealings	Yes
Motor phase plug	3 x Anderson PP30
Hall sensor plug	Mini XLR 5 pin

### ALSO AVAILABLE WITH RIM & SPOKES

Spokes	SAPIM 13G INOX (size = 2,3 mm)
Rim	EXAL EX19 (24" - 29") / XL25 (20")
Rim sizes	20", 24", 26", 28" and 29er



AVAILABLE WITH RIM & SPOKES



G 40 FRONT

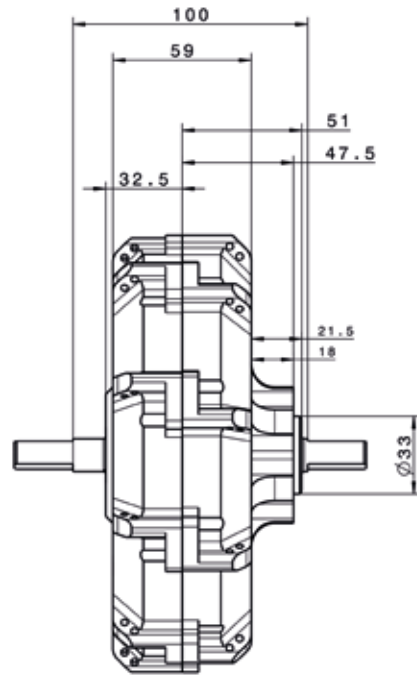
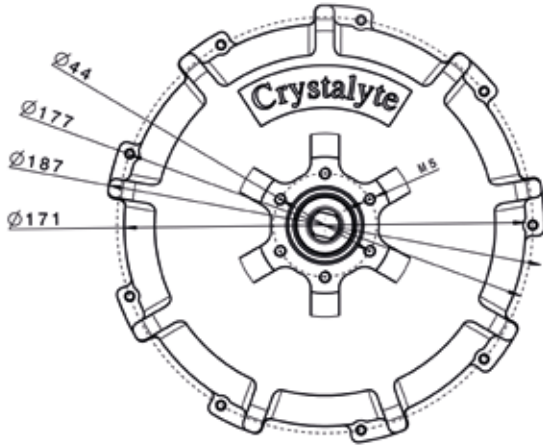
ORDER ONLINE  
[www.crystalyte-europe.com](http://www.crystalyte-europe.com)



## Makes you want to drive electric

e-dr bvba • Hemelrijken 3a • 2890 Sint-Amands • Belgium • +32 (0)52 555 840 • info@crystalyte-europe.com

## Measurements



## Test results

Omschrijving	U (V)	I (A)	P1 (W)	M (N.m)	N (rpm)	P2 (W)	Eff (%)
<b>Unload</b>	36,00	1,116	40,19	0,00	355,7	0,00	0,0
<b>Max-Eff</b>	35,71	7,850	280,3	7,06	295,6	218,5	77,9
<b>Max P-out</b>	35,09	21,69	761,5	21,73	198,3	451,1	59,2
<b>Max-Torque</b>	35,01	25,67	899,1	31,57	57,1	188,7	20,9
<b>End</b>	35,01	25,67	899,1	31,57	57,1	188,7	20,9



## Speed table

