

G 25



FRONT WHEEL MOUNTING

# Crystalyte

europe

## Technical details

Motor type	Brushless direct drive
Output range	250 - 400 Watt
Voltage range	24 - 48 Volt
Maximal Amp	20 Amp
RPM / V	6,5
Torque	25 - 40 Nm
Efficiency	78%
Weight	3,8 kg
Drop out	100 mm
Disc brake mounting	Yes
Sprocket gear	n/a
Front or rear wheel	Front wheel
Controller type	Sinwave G controllers

Magnet width	25 mm
Poles	22 pair
Hall sensors	3 x Honeywell
Bearings	NSK industrial
Sealings	Yes
Motor phase plug	3 x Anderson PP30
Hall sensor plug	Mini XLR 5 pin

### ALSO AVAILABLE WITH RIM & SPOKES

Spokes	SAPIM 13G INOX (size = 2,3 mm)
Rim	EXAL EX19 (24" - 29") / XL25 (20")
Rim sizes	20", 24", 26", 28" and 29er



AVAILABLE WITH  
RIM & SPOKES



ORDER ONLINE  
[www.crystalyte-europe.com](http://www.crystalyte-europe.com)

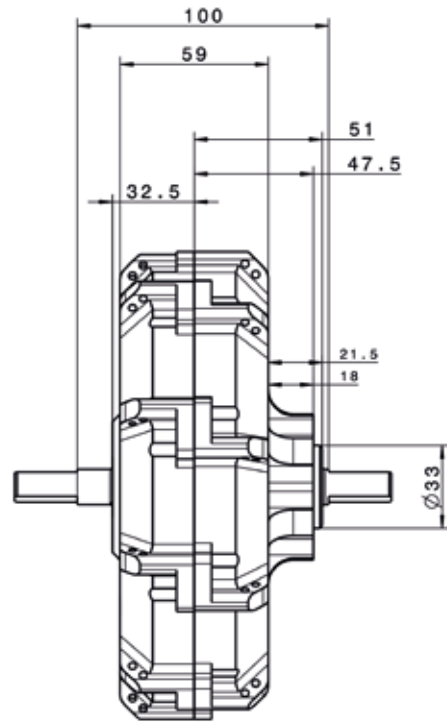
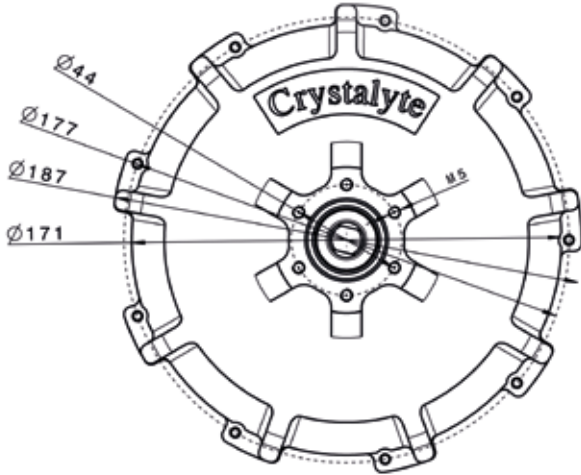


G 25 FRONT

## Makes you want to drive electric

e-dr bvba • Hemelrijken 3a • 2890 Sint-Amands • Belgium • +32 (0)52 555 840 • [info@crystalyte-europe.com](mailto:info@crystalyte-europe.com)

## Measurements



## Test results

Omschrijving	U (V)	I (A)	P1 (W)	M (N.m)	N (rpm)	P2 (W)	Eff (%)
<b>Unload</b>	35,97	1,340	48,22	0,03	277,1	0,87	1,8
<b>Max-Eff</b>	35,77	6,744	241,3	6,97	225,6	164,6	68,2
<b>Max P-out</b>	35,33	18,35	648,4	21,59	137,8	311,4	48,0
<b>Max-Torque</b>	35,19	23,08	812,6	31,33	41,2	135,1	16,6
<b>End</b>	35,19	23,08	812,6	31,33	41,2	135,1	16,6



## Speed table

