



REAR WHEEL MOUNTING

Technical details

Motor type	Brushless direct drive
Output range	250 - 6000 Watt
Voltage range	48 - 96 Volt
Maximal Amp	90 Amp
RPM / V	10
Torque	115 - 150 Nm
Efficiency	90%
Weight	9 kg
Drop out	140 mm
Disc brake mounting	Yes
Sprocket gear	Freewheel mounting
Front or rear wheel	Rear wheel
Controller type	Sensorless & sensed controllers

Magnet width	40 mm
Poles	46 pair
Hall sensors	3 x Honeywell
Bearings	NSK industrial
Sealings	Yes
Motor phase plug	3 x XT150
Hall sensor plug	Mini XLR 5 pin
Temperature sensor	Yes

ALSO AVAILABLE WITH RIM & SPOKES

Spokes	SAPIM 12G INOX (size = 2,6 mm)
Rim	EXAL EX25 20/26" extra wide rim
Rim sizes	20" & 26"



AVAILABLE WITH RIM & SPOKES



Crown CTC65

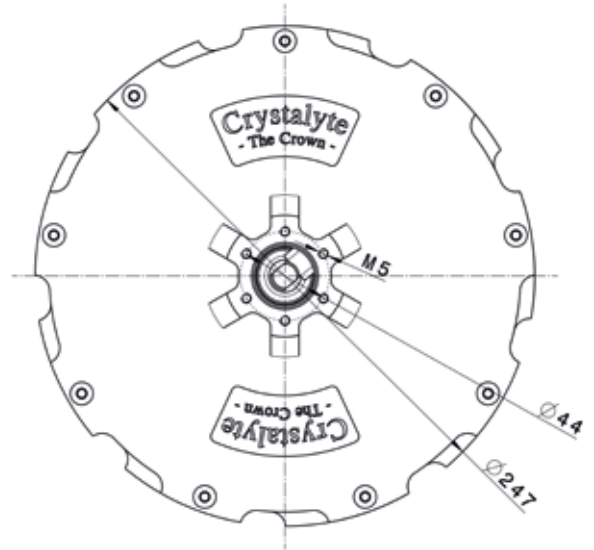
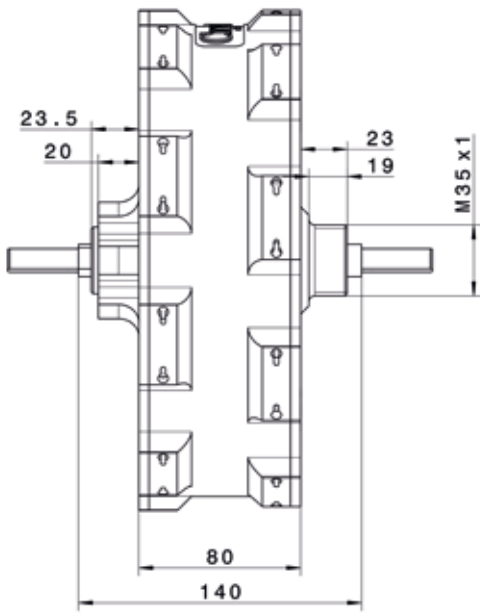
ORDER ONLINE
www.crystalyte-europe.com



Makes you want to drive electric

e-dr bvba • Hemelrijken 3a • 2890 Sint-Amands • Belgium • +32 (0)52 555 840 • info@crystalyte-europe.com

Measurements



Test results

Omschrijving	U (V)	I (A)	P1 (W)	M (N.m)	N (rpm)	P2 (W)	Eff (%)
Unload	72,04	2,027	146,0	0,8	509,5	42,68	29,2
Max-Eff	72,04	22,38	1613	30,8	572,3	1715	87,7
Max P-out	71,88	85,19	6123	107,0	319,5	3579	58,4
Max-Torque	70,47	97,30	6856	137,9	103,4	1493	21,8
End	72,04	0,000	0,000	1,0	0	0	0



Crown TC65

Speed table

